

MH 20 - 4 T Buggie *Evolution*

MH 25 - 4 T Buggie *Evolution*



Load capacity

MH 20 - 4 T Buggie2000 kg
 MH 25 - 4 T Buggie2500 kg
 at 500 mm load centre



Standard lifting height3.30 m



Tyres

Front.....275/80 R20 XM 27 Tubeless
 Rear27.10 - 12 14 PR IC 30



Forks (mm)

Length.....1100
 Width x thickness.....100 x 40
 Maximum distance between outside of forks.....1260



Brakes hydraulically operated oil-immersed multidiscs



Perkins engine

Type.....404 C - 22T
 Capacity4 cylinders - 2216 cm³
 Power (ISO TR 14396)60 HP/44.7 kw
 Maximum torque190 Nm at 1800 r.p.m.
 Direct injection
 Water cooled



TransmissionHYDROSTATIC

Wheel drive.....4
 Electro-hydraulic reversing shift
 Hydraulic motors for front wheels.....Rexroth
 Hydraulic motors for rear wheels.....Poclairn
 Speed forward/reverse.....1/1
 Maximum travel speed.....14 km/h
 Differential lock: by dividing the hydraulic flow between front and rear



Hydraulics

Main gear pump
 MH 20 - 4 T145 bar/79 l/mn
 MH 25 - 4 T180 bar/79 l/mn
 Steering pump.....125 bar/79 l/mn



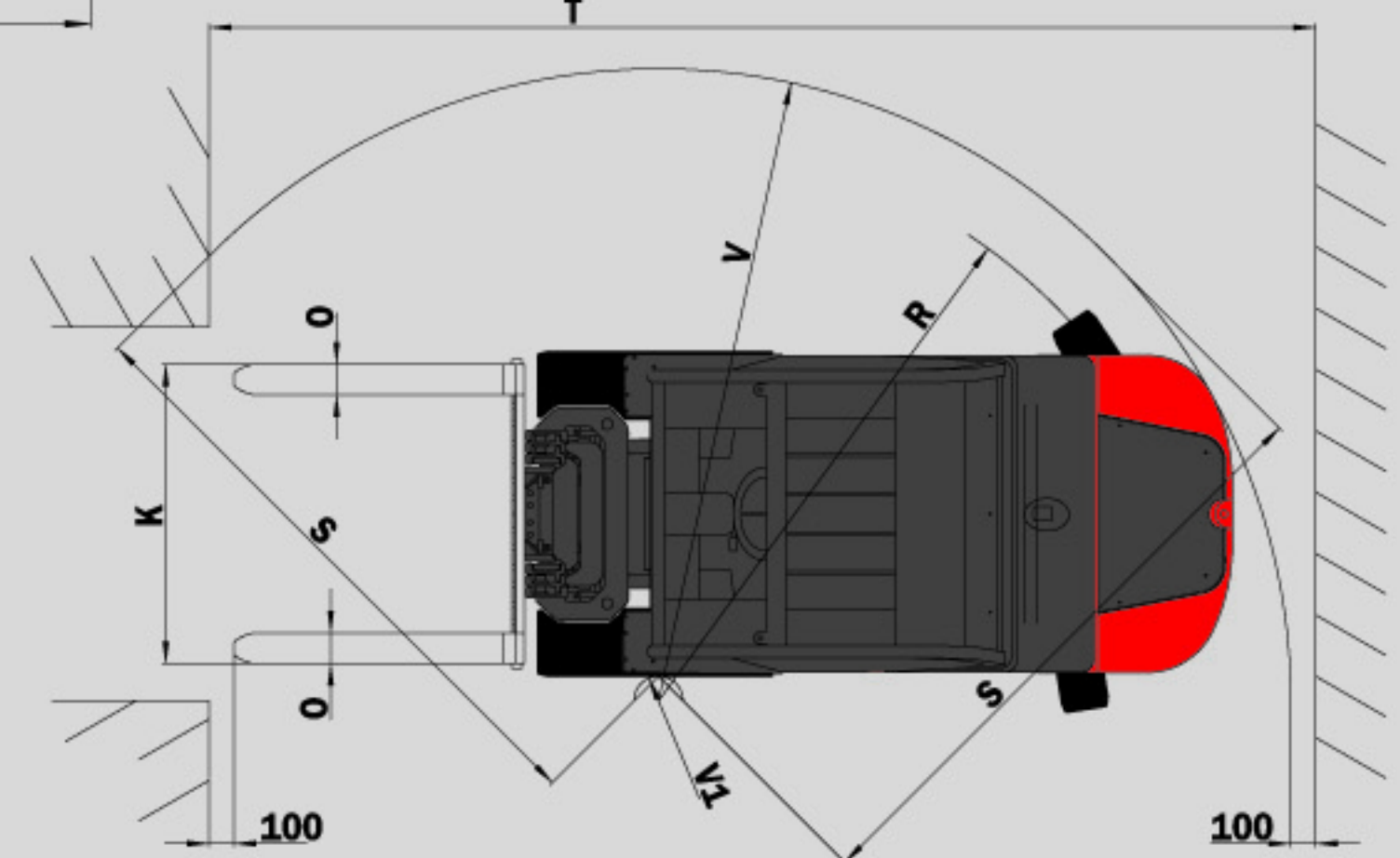
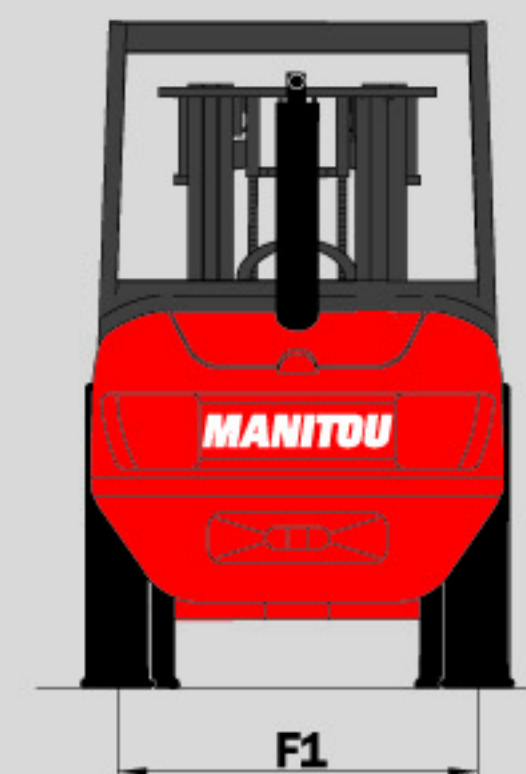
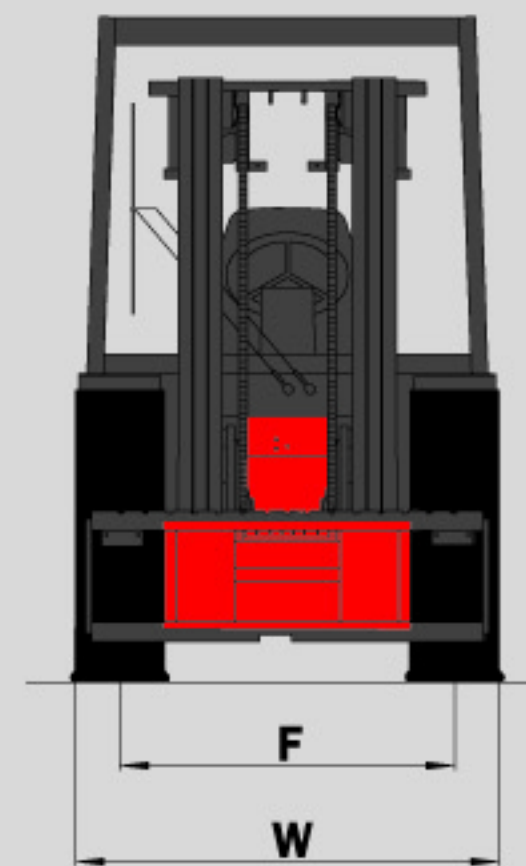
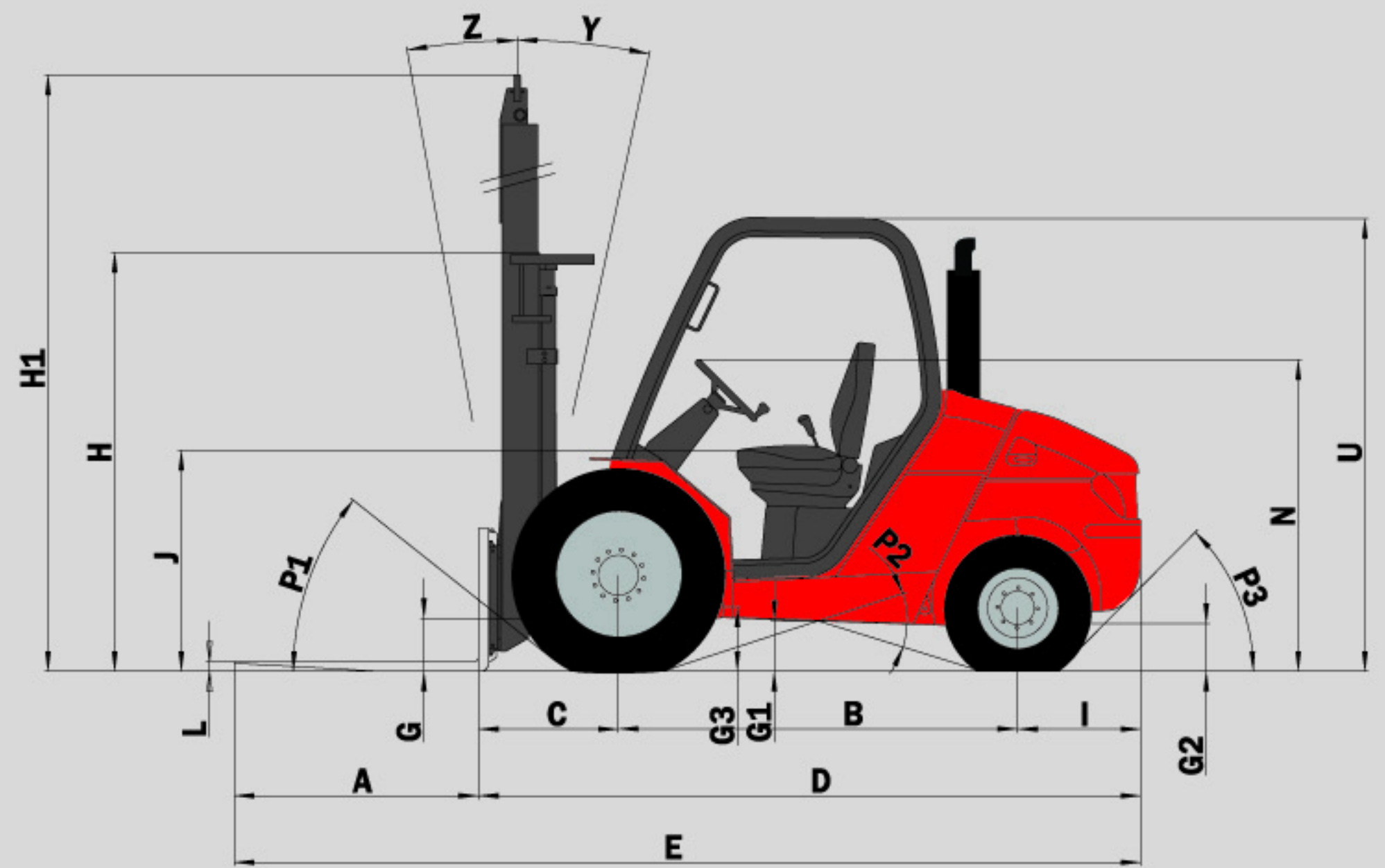
Capacities

Cooling system10.5 l.
 Engine oil.....9.75 l.
 Transmission oil.....95 l.
 Fuel tank73.5 l.



Weight unladen (with forks)

MH 20 - 4 T4040 kg
 MH 25 - 4 T4340 kg
Overall width1.44 m
Overall height (overhead guard).....1.99 m
Overall length4.04 m
Ground clearance260 mm



	MH 20-4T	MH 25-4 T
A	1100	1100
B	1800	1800
C	625	625
D	2945	2945
E	4045	4045
F	1160	1160
F1	1164	1164
G	265	265
G*	235	235
G1	260	260
G1*	260	260
G2	215	215
G2*	230	230
G3	270	270
H	1835	1835
H*	1945	1945
H1	4070	4070
H1*	4469	4469
I	520	520
J	1025	1025
K	1260	1260
L	40	40
N	1450	1450
O	100	100
P1	49.5°	49.5°
P2	40.5°	40.5°
P3	44°	44°
R	3045	3045
S	2500	2500
T	5090	5090
U	1990	1990
V	3265	3265
V1	1080	1080
W	1440	1440
Y	12°	12°
Z	10°	10°

mm
 G* - G1* - G2* : under load
 H - H1 - R : standard
 H* - H1* : option

Standard

- Tilting driver's cab (Electro-hydraulic lift)
- Front and rear windscreen
- Seat-belt
- Hourmeter
- Front and rear windscreen-wiper
- Hydraulic differential with electro-hydraulic control
- Lockable parking brake switch
- Reversing shift on steering column
- ...

Options

- Road lights
- Stop lights
- Working lights
- Reversing lights
- Interior rear-view mirror
- Rotating beacon
- Enclosed cab with heating
- Reverse Alarm
- Various attachments such as buckets, Side-shift, grabs etc.

This publication in no way constitutes an offer and the company reserve the right to alter specification without prior notice.
 The MANITOU models presented in this brochure can be supplied complete with optional equipment attachments.

