

MLT 630/634

Lifting capacity3000 kg 3400 kg
 (load centre at 500mm from forks heels)
Tipping load at maximum reach...1630 kg 2030 kg
Tear out force with bucket
 to ISO 83135300 daN 5300 daN

Lifting height6.05 m
Times: unladen / loaded (in s)
 Lifting6.1/7.5
 Lowering5/4.6
 Boom extension.....5.2/6.2
 Boom retraction.....4.2/4.1
Time unladen (in s)
 Crowd2.9
 Dump2.7

Tyres
 460/70-24 XMCL

Forks (mm)
 Length.....1200
 Width X thickness.....125 x 45
 Maximum distance between forks.....1260
 Carriage rotation146°

Multidisc brakes - hydraulically assisted on 4 wheels

Perkins engine
 Turbo: 1104 C - 44 T4 cyl. - 4400 cm³
 Turbo 120*: 1104 D - E 44 TA.....4 cyl. - 4400 cm³
 Puissance at 2200 tr/mn
 (ISO/TR 14396) Turbo.....101 HP/74.5 kw
 Turbo 120*124 HP/91 kw
 Maximum torque: Turbo.....412 Nm at 1400 rpm
 Turbo 120*490 Nm at 1400 rpm

Direct injection
 Water cooling

Transmissiontorque convertor
 Reversing shift.....electrohydraulic
 4 speeds forward and reverse
 Limited slip differential lock
 Max. travel speed:till 42 km/h**
 Powershift available for the MLT 634-120 (6/3)

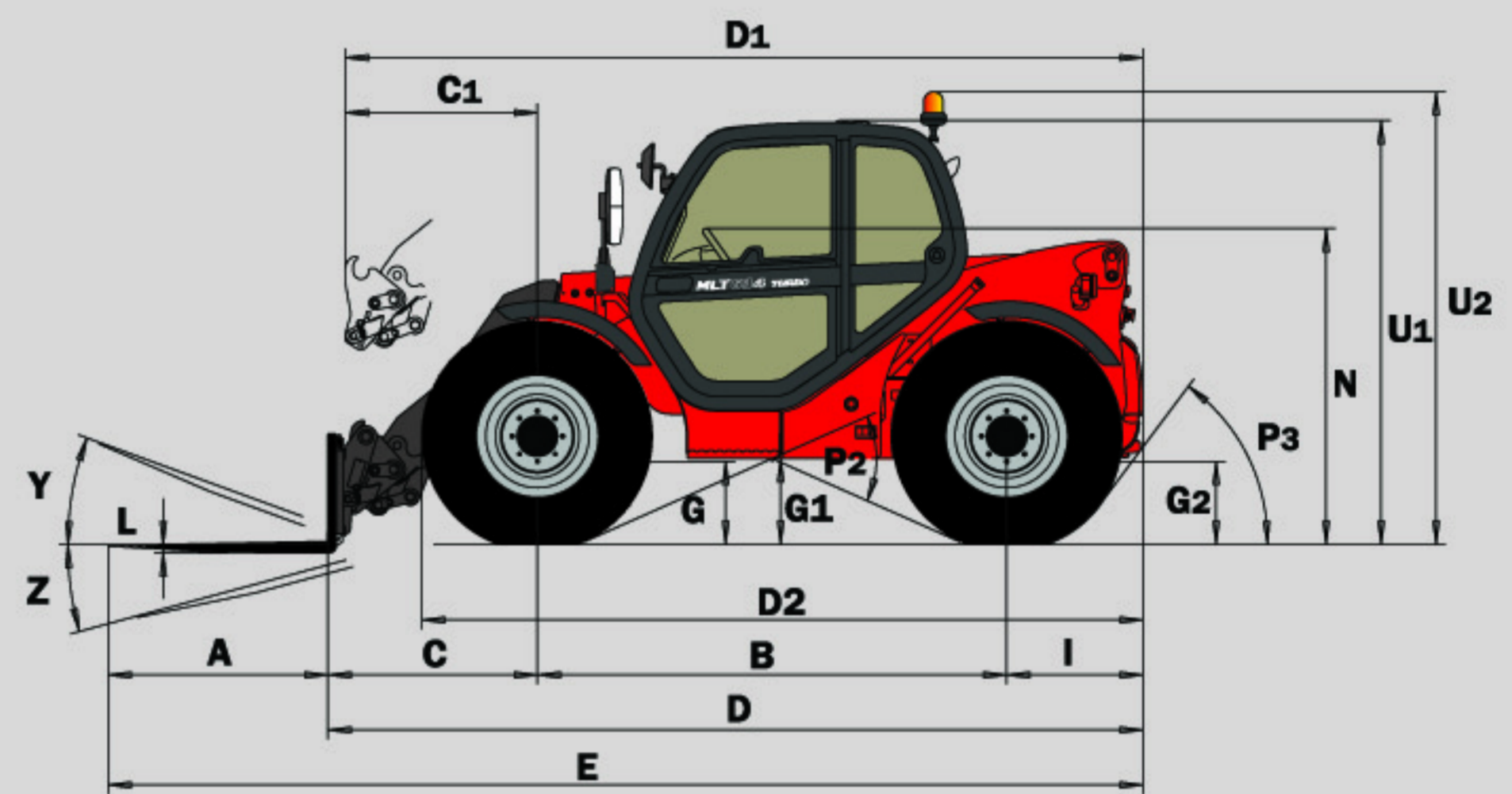
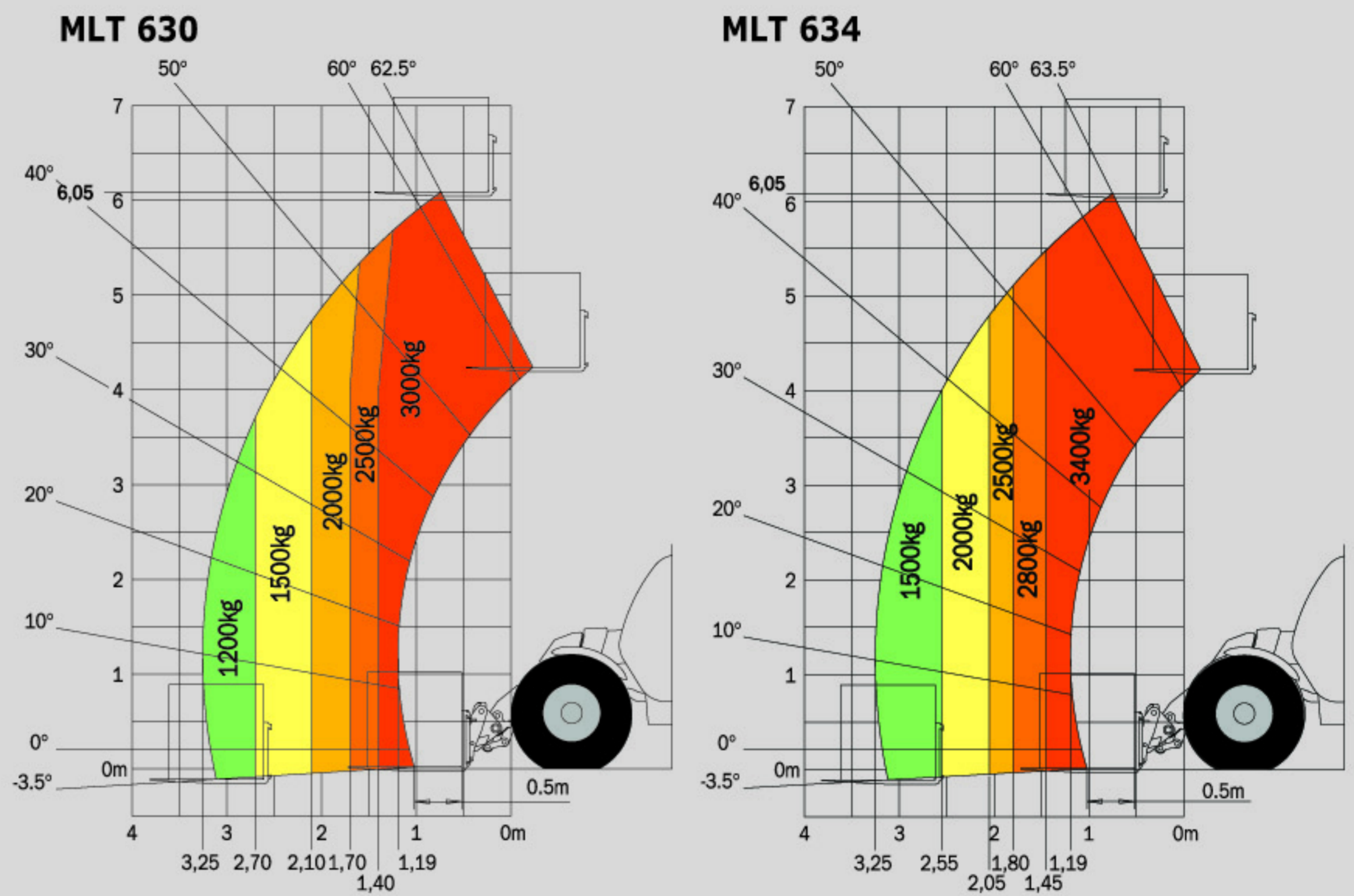
Hydraulic
Turbo:.....105 l./mn - 250 bars
 Gear pump
Turbo LSU:.....110 l./mn - 270 bars
 Variable displacement pump
 Valve bank DDIC
 Monolever **J.S.M (Joystick Switch and Move)**
Turbo 120 LSU:.....150 l./mn - 270 bars
 Electronically regulated variable displacement pump
 Valve bank DDIC
 Monolever **J.S.M (Joystick Switch and Move)**
 Flow divider with load sensing device driving and braking

Capacities
 Hydraulic oil125 l.
 Fuel tank120 l.

MLT 630/MLT 634
Weight unladen (with forks).....6450/6950 kg
Overall height2.30 m/2.30 m
Overall width2.32 m/2.32 m
Turning radius (outside wheels)3.70 m/3.70 m
Overall length4.49 m/4.57 m
Ground clearance0.44 m/0.44 m
Drawbar pullTurbo 7500 daN
 Turbo LSU 8600 daN

* Turbo 120 = Stage III A
 ** Depending on models

Forward reach at maximum height : 0.75 m Under EN 1459 annexe B



	MLT 630 T	MLT 634 T LSU MLT 634 - 120 LSU MLT 634 - 120 LSU PS
A	1200	1200
B	2560	2560
C	1142	1142
C1	1245	1245
D	4491	4579
D1	4594	4682
D2	3949	4037
E	5691	5779
F	1870	1870
F1	1870	1870
G	455	455
G1	440	440
G2	440	440
I	789	877
J	865	865
K	1260	1260
L	45	45
N	1720	1720
O	125	125
P2	47.5°	47.5°
P3	53°	53°
R	3475	3475
S	7324	7324
T	3380	3380
U1	2300	2300
U2	2550	2550
V	4630	4630
V1	1250	1250
V2	3703	3703
W	2325	2325
Y	12°	12°
Z	134°	134°

